



Part No: CLS0231MA3E-L152

Date: 7/03/2007

Description: speaker

Unit: mm

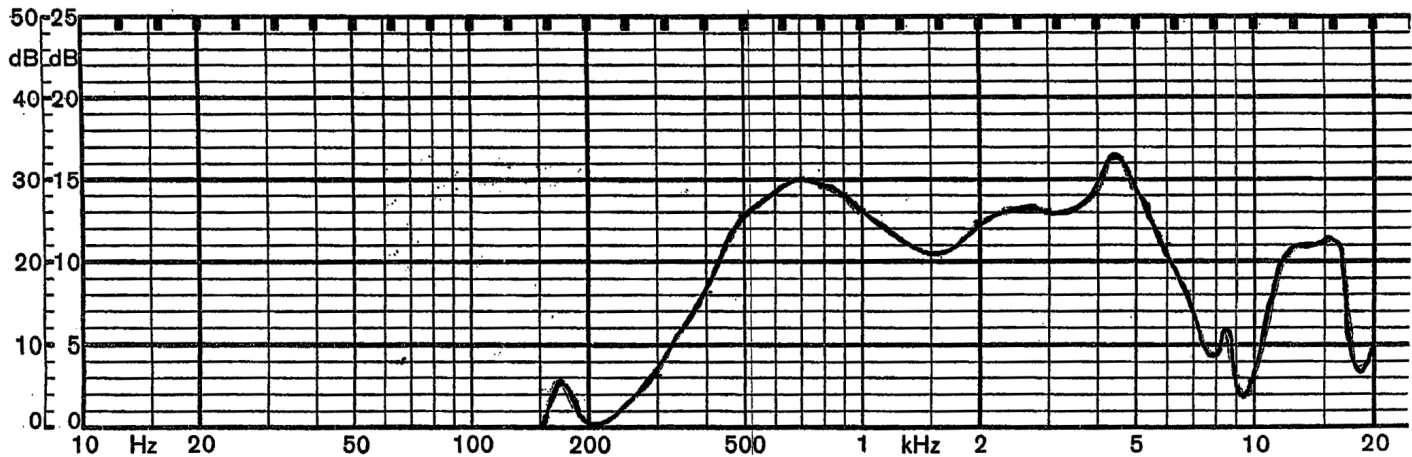
Page No: 1 of 2

Specifications

Nominal Size	23 mm		
Impedance	32 Ohm \pm 15%	at	1 KHz 1 V
Resonant frequency	680 Hz \pm 136 Hz	at	1 V
Sound pressure level	84 dB/w \pm 3 dB	0.2 w 50 cm ave. at 1K, 1.2K, 1.5K, 2K Hz	
Response	Fo Hz ~ 7 KHz max 10 dB		
Input power	Nominal 0.2 W	Handling capacity	0.4 W
Operation	must be normal at program source 0.2 W		
Buzz, rattle, etc.	must be normal at sine wave 2.53 V		
Magnet	Size: 8 x 1 mm		
Load test	White noise	0.2 W for	24 hours
Heat test	60 \pm 2° C	20-50% R.H.	24 hours
Humidity test	40 \pm 2° C	90-95% R.H.	24 hours

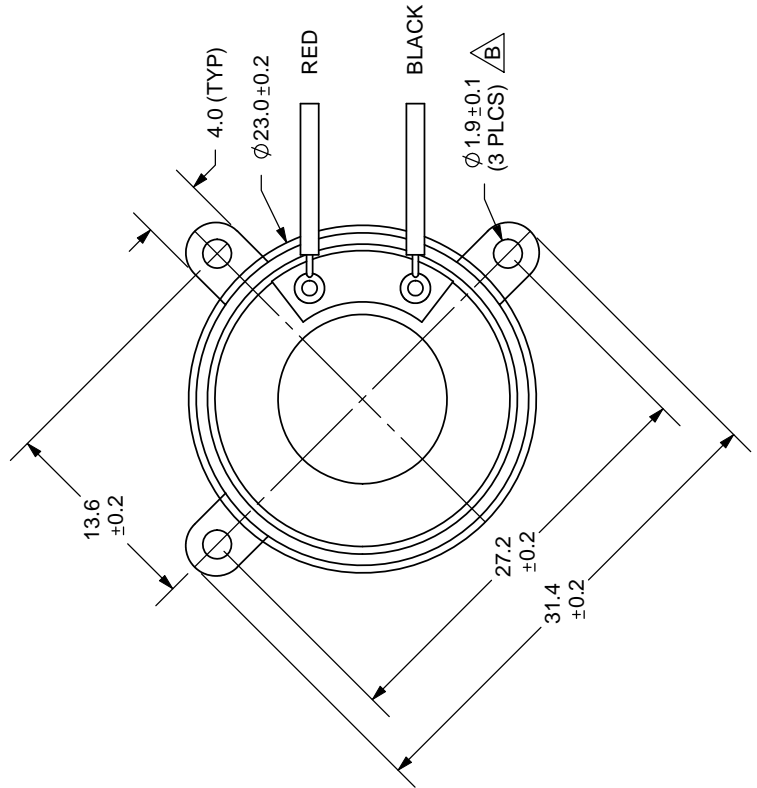
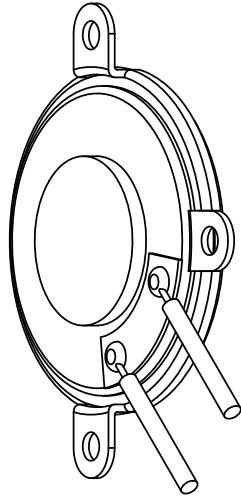
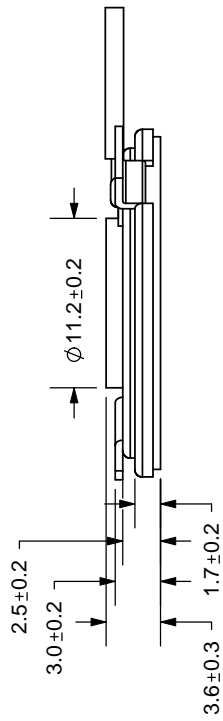
Frequency Response Curve

Potentiometer range	50 dB
Rectifier	RMS
Lower limit frequency	20 Hz
Wr. speed	100 mm/sec



Zero level 60 dB

REV.	DESCRIPTION	DATE
A	NEW DRAWING	7/3/2007
B	added mounting hole dimension	1/31/2008



SPECIFICATIONS:
WIRE: UL1007, #28AWG
LENGTH: 152mm

TOLERANCE:
±0.5mm UNLESS OTHERWISE
SPECIFIED



CUI INC

20050 SW 112th Ave.
Tualatin, OR 97062
Phone: 503-612-2300
800-275-4899
Fax: 503-612-2383
Website: www.cui.com

TITLE: LOW PROFILE SPEAKER REV: B

PART NO: CLS0231MA3E-L152 UNITS: MM [INCHES]

DRAWN BY: ZRJ APPROVED BY: SCALE: 2:1